

Features

- Output Voltage: 3.3V, 5V, 12V and Adjustable Output Version
- Adjustable Version Output Voltage Range, 1.23V to 18V±4%
- 150KHz ±15% Fixed Switching Frequency
- Voltage Mode Non-Synchronous PWM Control
- Thermal-Shutdown and Current-Limit Protection
- ON/OFF Shutdown Control Input
- Operating Voltage can be up to 22V
- Output Load Current: 3A
- TO220-5L, TO263-5L Packages
- Low Power standby mode
- Built-in Switching Transistor On Chip
- Lead Free Finish/RoHS Compliant (Note 1)

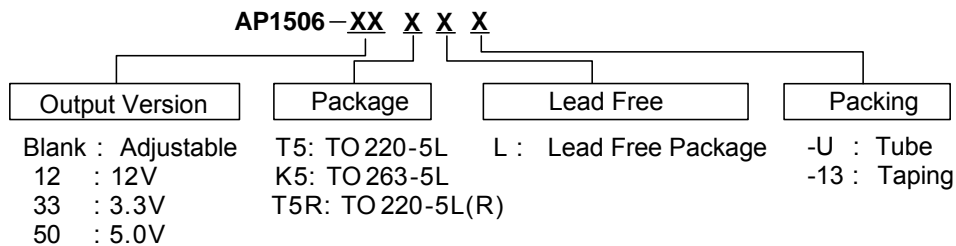
General Description

The AP1506 series are monolithic IC designed for a step-down DC/DC converter, and own the ability of driving a 3A load without external transistor. Due to reducing the number of external component, the board space can be saved easily. The external shutdown function can be controlled by logic level and then come into standby mode. The internal compensation makes feedback control have good line and load regulation without external design. Regarding protected function, thermal shutdown is to prevent over temperature operating from damage, and current limit is to prevent over current operating of the output switch. If current limit function occurred and V_{FB} is down to 0.5V below, the switching frequency will be reduced. The AP1506 series operate at a switching frequency of 150KHz thus allowing smaller sized filter components than what would be needed with lower frequency switching regulators. Other features include a guaranteed ±4% tolerance on output voltage under specified input voltage and output load conditions, and ±15% on the oscillator frequency. The output version included fixed 3.3V, 5V, 12V, and an adjustable type. The packages are available in a standard 5-lead TO-220 or a 5-lead TO-263.




Applications

- Simple High-Efficiency Step-Down Regulator
- On-Card Switching Regulators
- Positive to Negative Converter

Ordering Information



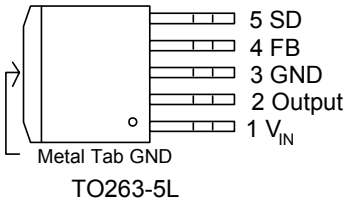
Note: 1. RoHS revision 13.2.2003. Glass and High Temperature Solder Exemptions Applied, see *EU Directive Annex Notes 5 and 7*.

Device (Note 2)	Package Code	Packaging	Tube		13" Tape and Reel	
			Quantity	Part Number Suffix	Quantity	Part Number Suffix
 AP1506-XXK5	K5	TO263-5L	NA	NA	800/Tape & Reel	-13
 AP1506-XXT5	T5	TO220-5L	50	-U	NA	NA
 AP1506-XXT5R	T5R	TO220-5L(R)	50	-U	NA	NA

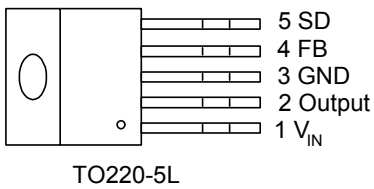
Note: 2. Pad layout as shown on Diodes Inc. suggested pad layout document AP02001, which can be found on our website at <http://www.diodes.com/datasheets/ap02001.pdf>.

Pin Assignments

(Top View)



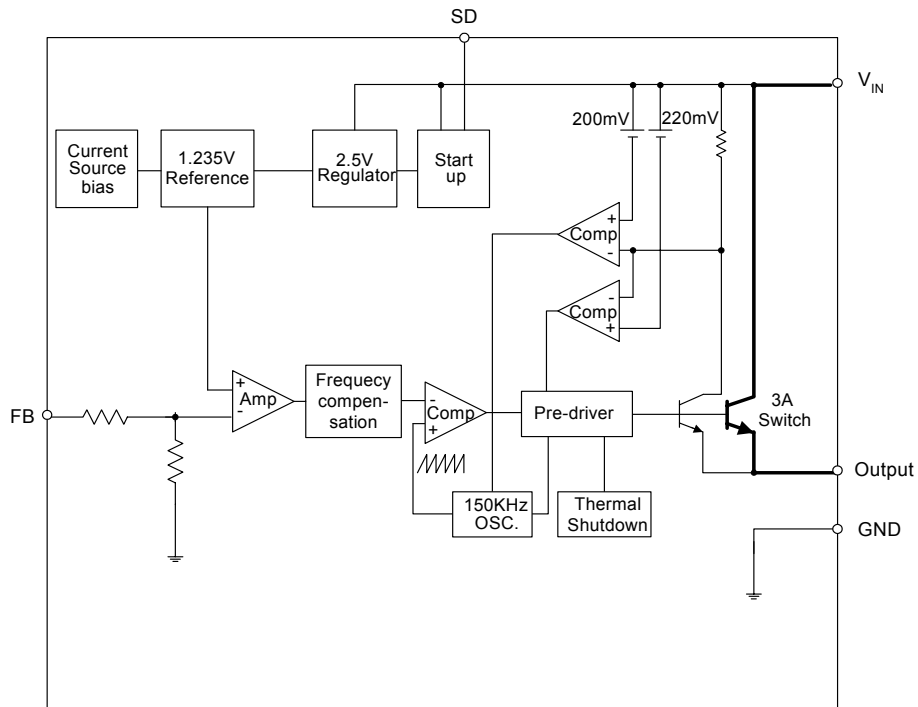
(Top View)



Pin Descriptions

Name	Description
V _{IN}	Operating Voltage Input
Output	Switching Output
GND	Ground
FB	Output Voltage Feedback Control
SD	ON/OFF Shutdown

Block Diagram



Absolute Maximum Ratings

Symbol	Parameter	Rating	Unit
V_{CC}	Supply Voltage	+24	V
V_{SD}	ON/OFF Pin Input Voltage	-0.3 to +18	V
V_{FB}	Feedback Pin Voltage	-0.3 to +18	V
V_{OUT}	Output Voltage to Ground	-1	V
P_D	Power Dissipation	Internally Limited	W
T_{ST}	Storage Temperature	-65 to +150	°C
T_{OP}	Operating Temperature	-40 to +125	°C
V_{OP}	Operating Voltage	+4.5 to +22	V

Electrical Characteristics (All Output Voltage Versions)

Unless otherwise specified, $V_{IN} = 12V$ for 3.3V, 5V, adjustable version and $V_{IN} = 18V$ for the 12V version. $I_{LOAD} = 0.5A$
 Specifications with **boldface type** are for full operating temperature range, the other type are for $T_J = 25^\circ C$.

Symbol	Parameter		Conditions	Min.	Typ.	Max.	Unit
I_{FB}	Feedback Bias Current		$V_{FB} = 1.3V$ (Adjustable version only)	-	-10	-50 -100	nA
F_{OSC}	Oscillator Frequency			127 110	150 -	173 173	KHz
F_{SCP}	Oscillator Frequency of Short Circuit Protect		When current limit occurred and $V_{FB} < 0.5V$, $T_a = 25^\circ C$	10	30	50	KHz
V_{SAT}	Saturation Voltage		$I_{OUT} = 3A$ No outside circuit $V_{FB} = 0V$ force driver on	-	1.4	1.6 1.7	V
DC	Max. Duty Cycle (ON)		$V_{FB} = 0V$ force driver on	-	100	-	%
	Min. Duty Cycle (OFF)		$V_{FB} = 12V$ force driver off	-	0	-	
I_{CL}	Current Limit		Peak current No outside circuit $V_{FB} = 0$ force driver on	3.6	4.5	5.5 6.5	A
I_L	Output = 0V	Output Leakage Current	No outside circuit $V_{FB} = 12$ force driver off	-	-	-200	UA
	Output = -1V		$V_{IN} = 22V$	-	-5	-	MA
I_Q	Quiescent Current		$V_{FB} = 12$ force driver off	-	5	10	MA
I_{STBY}	Standby Quiescent Current		ON/OFF pin = 5V $V_{IN} = 22V$	-	70	150 200	UA
	V_{IL}	ON/OFF Pin Logic Input Threshold Voltage	Low (regulator ON)	-	1.3	0.6	
V_{IH}	High (regulator OFF)		2.0	-			
I_H	ON/OFF Pin Logic Input Current		$V_{LOGIC} = 2.5V$ (OFF)	-	-	-0.01	UA
I_L	ON/OFF Pin Input Current		$V_{LOGIC} = 0.5V$ (ON)	-	-0.1	-1	
θ_{JC}	Thermal Resistance Junction to Case		TO220-5L	-	2.5	-	$^\circ C/W$
			TO263-5L	-	3.5	-	
θ_{JA}	Thermal Resistance Junction to Ambient		TO220-5L	-	28	-	$^\circ C/W$
			TO263-5L with a copper area of approximately $3in^2$	-	23	-	

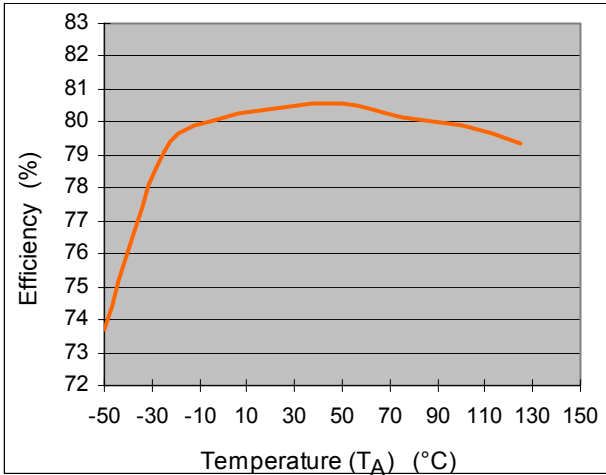
Electrical Characteristics (Continued)

Specifications with **boldface** type are for **full operating temperature range**, the other type are for $T_J = 25^\circ\text{C}$.

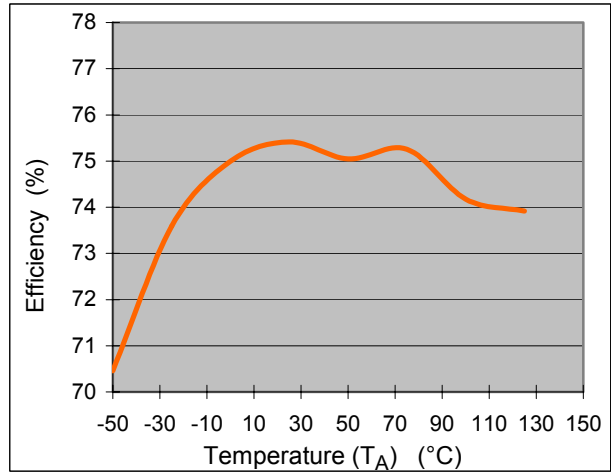
	Symbol	Parameter	Conditions	V _{Min.}	Typ.	V _{Max.}	Unit
AP1506-ADJ	V _{FB}	Output Feedback	5V ≤ V _{IN} ≤ 22V 0.2A ≤ I _{LOAD} ≤ 3A V _{OUT} programmed for 3V	1.193	1.23	1.267	V
				1.18	-	1.28	
	η	Efficiency	V _{IN} = 12V, I _{LOAD} = 3A	-	74	-	%
AP1506-3.3V	V _{OUT}	Output Voltage	5.5V ≤ V _{IN} ≤ 22V 0.2A ≤ I _{LOAD} ≤ 3A	3.168	3.3	3.432	V
				3.135	-	3.465	
	η	Efficiency	V _{IN} = 12V, I _{LOAD} = 3A	-	75	-	%
AP1506-5V	V _{OUT}	Output Voltage	8V ≤ V _{IN} ≤ 22V 0.2A ≤ I _{LOAD} ≤ 3A	4.8	5	5.2	V
				4.75	-	5.25	
	η	Efficiency	V _{IN} = 12V, I _{LOAD} = 3A	-	80	-	%
AP1506-12V	V _{OUT}	Output Voltage	15V ≤ V _{IN} ≤ 22V 0.2A ≤ I _{LOAD} ≤ 3A	11.52	12	12.48	V
				11.4	-	12.6	
	η	Efficiency	V _{IN} = 16V, I _{LOAD} = 3A	-	89	-	%

Typical Performance Characteristics

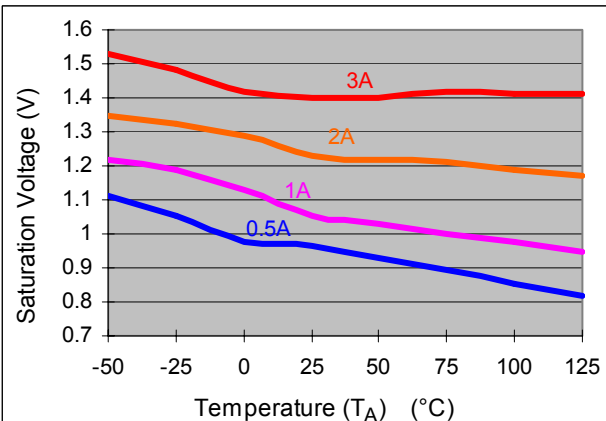
AP1506 Efficiency vs. Temperature
($V_{in} = 12V$, $V_{out} = 5V$, $I_o = 3A$)



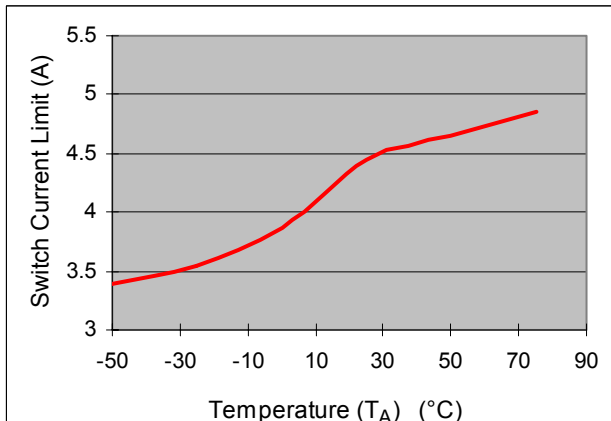
AP1506 Efficiency vs. Temperature
($V_{in} = 12V$, $V_{out} = 3.3V$, $I_o = 3A$)



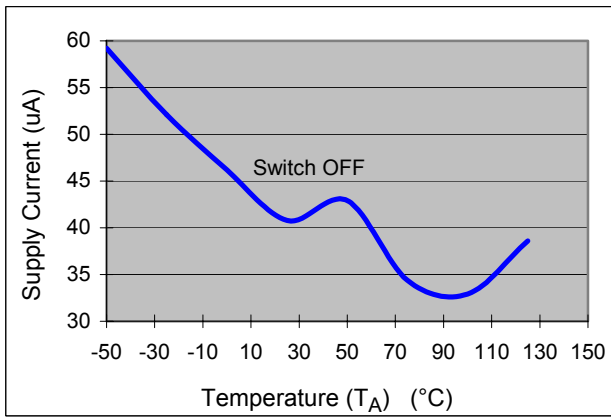
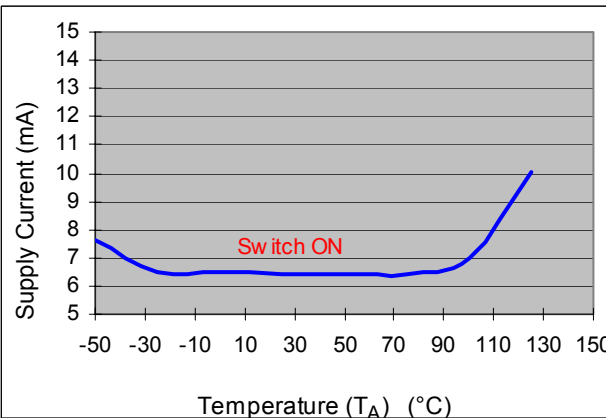
AP1506 Saturation Voltage vs. Temperature
($V_{cc} = 12V$, $V_{fb} = 0V$, $V_{SD} = 0$)



AP1506 Switch Current Limit vs. Temperature
($V_{cc} = 12V$, $V_{fb} = 0V$)

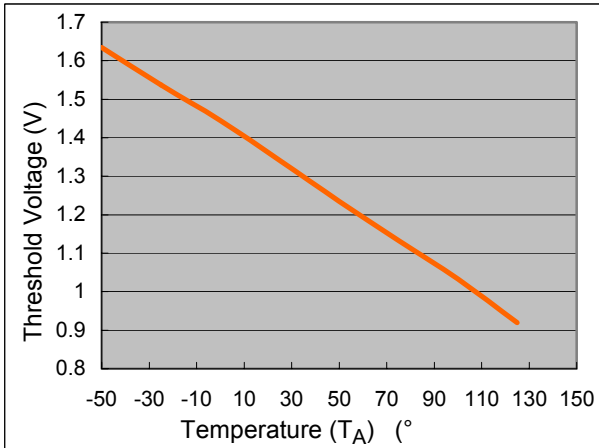


AP1506 Supply Current vs. Temperature
($V_{cc} = 12V$, No Load, $V_{on/off} = 0V$ (Switch ON), $V_{on/off} = 5V$ (Switch OFF))

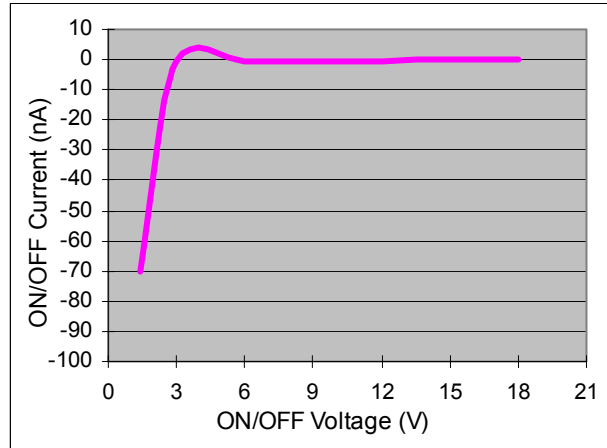


Typical Performance Characteristics (Continued)

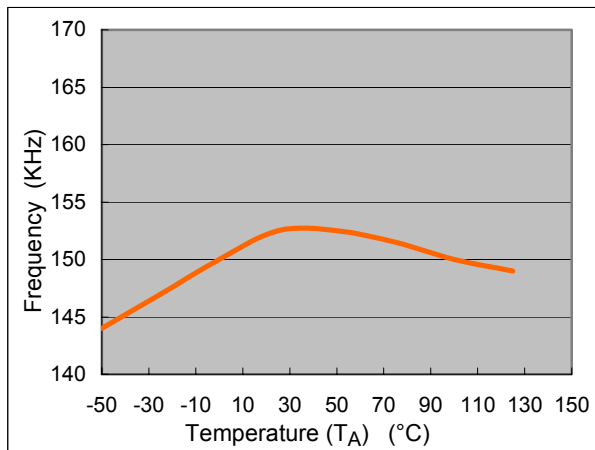
AP1506 Threshold Voltage vs. Temperature
($V_{CC} = 12V, I_o = 100mA$)



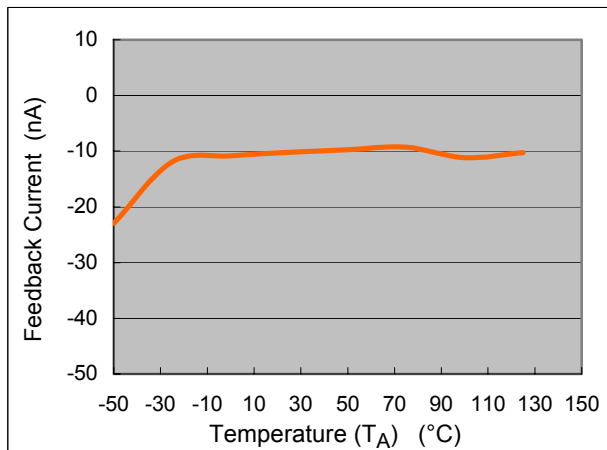
AP1506 ON/OFF Current vs. ON/OFF Voltage
($V_{in} = 12V$)



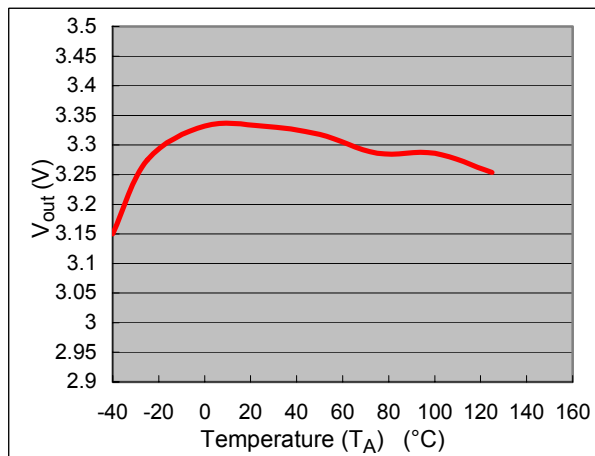
AP1506 Frequency vs. Temperature
($V_{CC} = 12V, I_o = 500mA, V_{out} = 5V$)



AP1506 Feedback Current vs. Temperature
($V_{CC} = 12V, V_{out} = 5V, V_{fb} = 1.3V$)

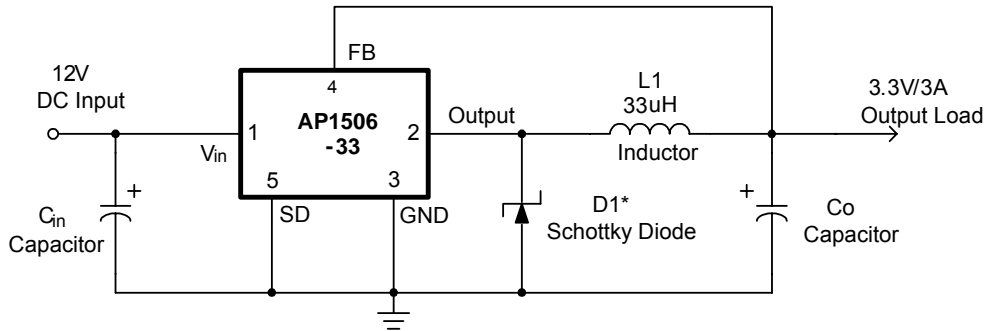


AP1506 Output Voltage vs. Temperature
($V_{in} = 12V, I_o = 3A$)

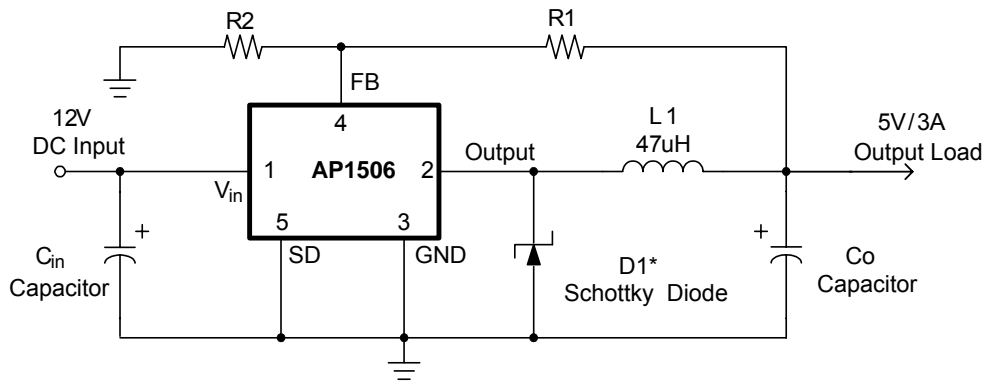


Typical Application Circuit (TO packages)

(1) Fixed Type Circuit



(2) Adjustable Type Circuit

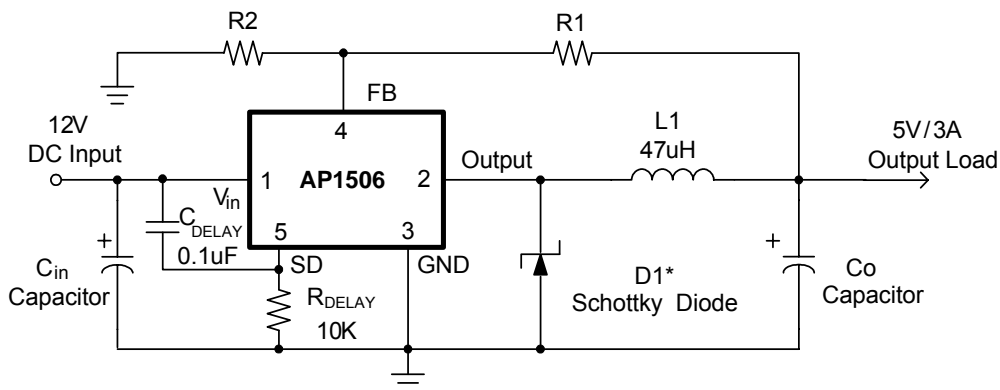


$$V_{out} = V_{FB} \times \left(1 + \frac{R1}{R2}\right)$$

$$V_{FB} = 1.23V$$

$$R2 = 1K \sim 3K$$

(3) Delay Start Circuit



Note: 3. For up to 2A = DFLS230L ($V_f = 0.42V$)
For up to 3A = B340LA, B340LB ($V_f = 0.45V$)

Function Description

Pin Functions

$+V_{IN}$

This is the positive input supply for the IC switching regulator. A suitable input bypass capacitor must be presented at this pin to minimize voltage transients and to supply the switching currents needed by the regulator.

Ground

Circuit ground.

Output

Internal switch. The voltage at this pin switches between ($+V_{IN} - V_{SAT}$) and approximately $-0.5V$, with a duty cycle of approximately V_{OUT} / V_{IN} . To minimize coupling to sensitive circuitry, the PC board copper area connected to this pin should be kept to a minimum.

Feedback (FB)

Senses the regulated output voltage to complete the feedback loop.

ON/OFF (SD)

Allows the switching regulator circuit to be shutdown using logic level signals thus dropping the total input supply current to approximately 150uA. Pulling this pin below a threshold voltage of approximately 1.3V turns the regulator on, and pulling this pin above 1.3V (up to a maximum of 18V) shuts the regulator down.

If this shutdown feature is not needed, the \overline{ON} / OFF pin can be wired to the ground pin.

Thermal Considerations

The AP1506 is available in two packages: a 5-pin TO-220 and a 5-pin surface mount TO-263.

The TO-220 package needs a heat sink under most conditions. The size of the heat sink depends on the input voltage, the output voltage, the load current and the ambient temperature. The AP1506 junction temperature rises above ambient temperature for a 3A load and different input and output voltages. The data for these curves was taken with the AP1506 (TO-220 package) operating as a buck-switching regulator in an ambient temperature of 25°C (still air). These temperature rise numbers are all approximate and there are many factors that can affect these temperatures. Higher ambient temperatures require more heat sinking.

The TO-263 surface mount package tab was designed to be soldering to the copper on a printed circuit board. The copper and the board are the heat sink for this package and the other heat producing components, such as the catch diode and inductor. The PC board copper area that the package is soldered to should be at least 0.8 in², and ideally should have 2 or more square inches of 2 oz. Additional copper area improves the thermal characteristics, but with copper areas greater than approximately 6 in², only small improvements in heat dissipation are realized. If further thermal improvements are needed, double sided, multi-layer PC board with large copper areas and/or airflow will be recommended.

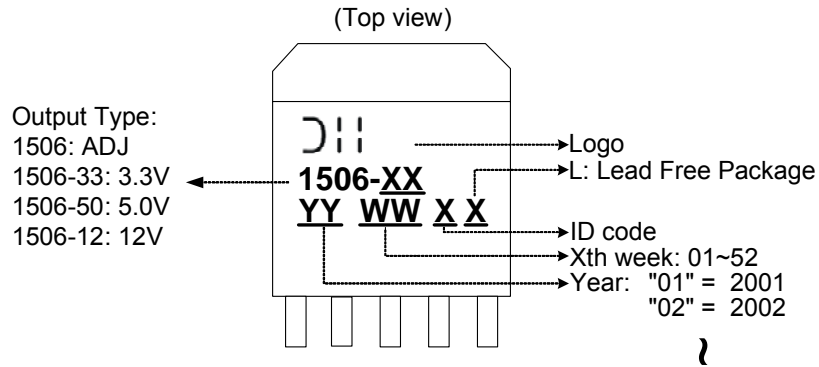
The AP1506 (TO-263 package) junction temperature rises above ambient temperature with a 2A load for various input and output voltages. This data was taken with the circuit operating as a buck-switching regulator with all components mounted on a PC board to simulate the junction temperature under actual operating conditions. This curve can be used for a quick check for the approximate junction temperature for various conditions, but be aware that there are many factors that can affect the junction temperature. When load currents higher than 3A are used, double sided or multi-layer PC boards with large copper areas and/or airflow might be needed, especially for high ambient temperatures and high output voltages.

For the best thermal performance, wide copper traces and generous amounts of printed circuit board copper should be used in the board layout (Once exception to this is the output (switch) pin, which should not have large areas of copper.). Large areas of copper provide the best transfer of heat (lower thermal resistance) to the surrounding air, and moving air lowers the thermal resistance even further.

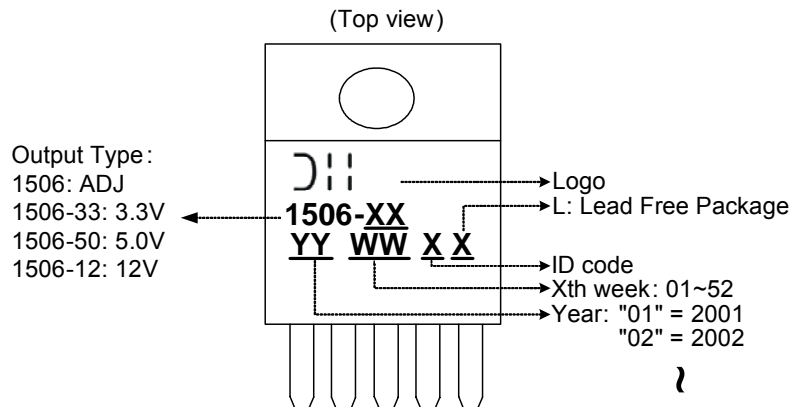
Package thermal resistance and junction temperature rise numbers are all approximate, and there are many factors that will affect these numbers. Some of these factors include board size, shape, thickness, position, location, and even board temperature. Other factors are, trace width, total printed circuit copper area, copper thickness, single or double-sided, multi-layer board and the amount of solder on the board. The effectiveness of the PC board to dissipate heat also depends on the size, quantity and spacing of other components on the board, as well as whether the surrounding air is still or moving. Furthermore, some of these components such as the catch diode will add heat to the PC board and the heat can vary as the input voltage changes. For the inductor, depending on the physical size, type of core material and the DC resistance, it could either act as a heat sink taking heat away from the board, or it could add heat to the board.

Marking Information

(1) TO263-5L

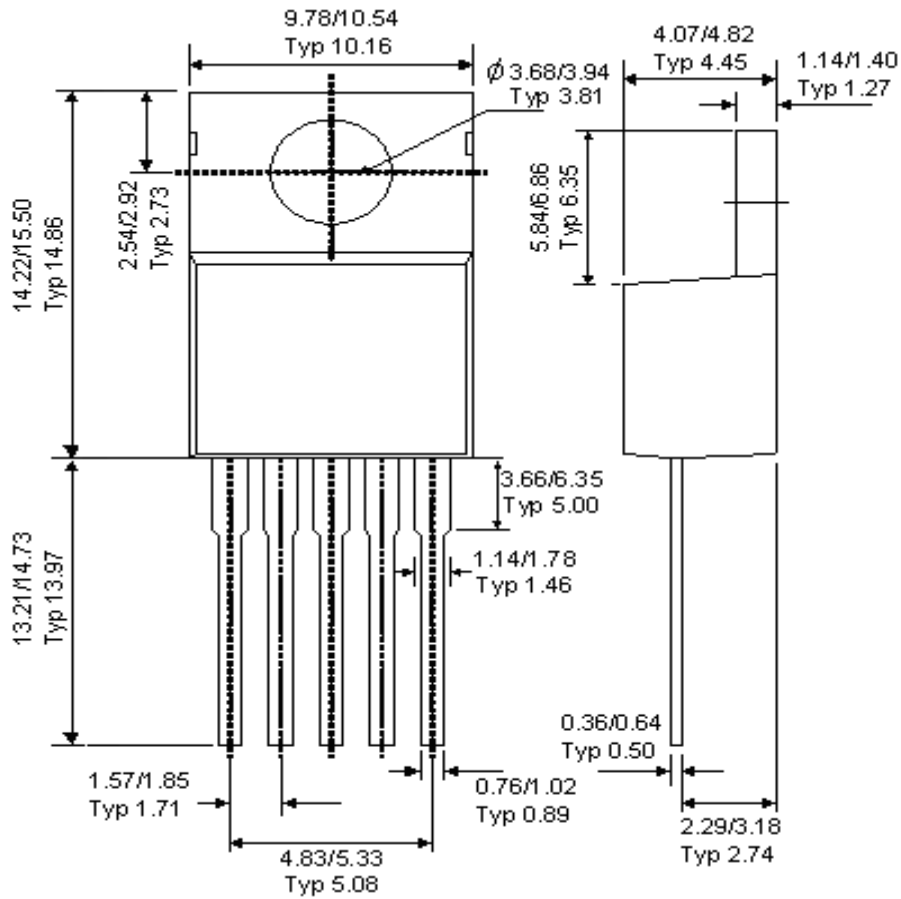


(2) TO220-5L



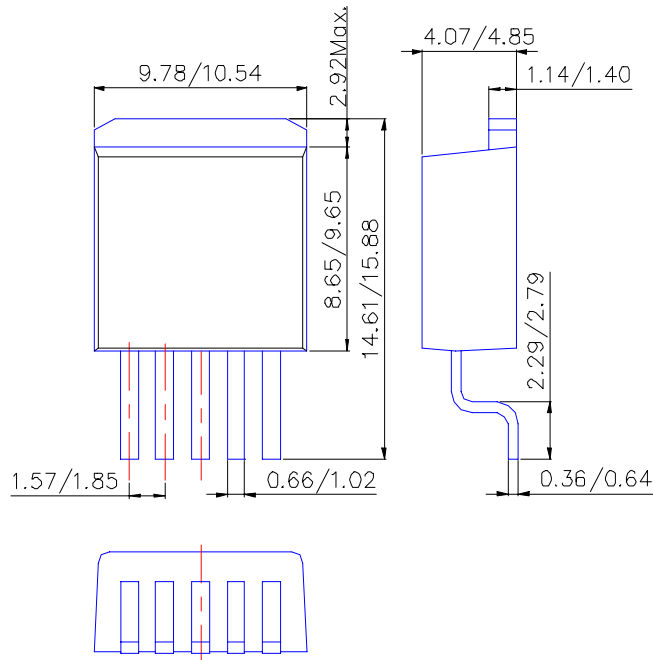
Package Information

(1) Package Type: TO220-5L



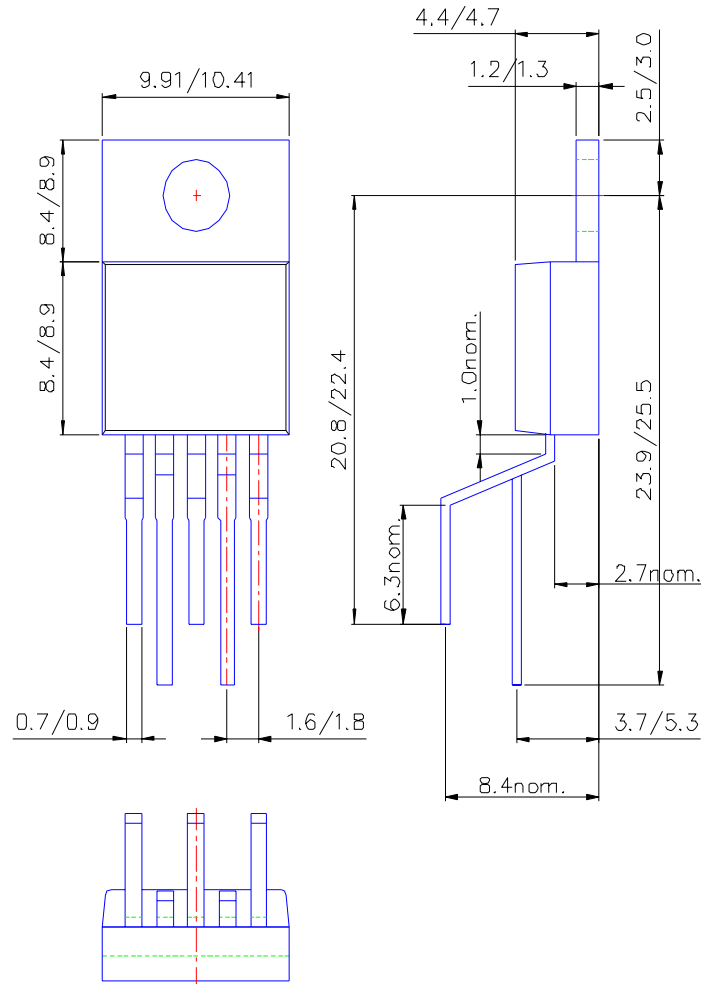
Package Information (Continued)

(2) Package Type: T0263-5L



Package Information (Continued)

(3) Package Type: TO220-5L(R) Mechanical drawing



IMPORTANT NOTICE

Diodes Incorporated and its subsidiaries reserve the right to make modifications, enhancements, improvements, corrections or other changes without further notice to any product herein. Diodes Incorporated does not assume any liability arising out of the application or use of any product described herein; neither does it convey any license under its patent rights, nor the rights of others. The user of products in such applications shall assume all risks of such use and will agree to hold Diodes Incorporated and all the companies whose products are represented on our website, harmless against all damages.

LIFE SUPPORT

Diodes Incorporated products are not authorized for use as critical components in life support devices or systems without the expressed written approval of the President of Diodes Incorporated.