

Features

- Micropower operation
- Operation with magnetic field of either north or south pole (omnipolar)
- 2.5V to 5.5V battery operation
- Chopper stabilized
 - Superior temperature stability
 - Extremely Low Switch-Point Drift
 - Insensitive to Physical Stress
- Good RF noise immunity
- -40°C to 85°C operating temperature
- SIP-3L/SC59/Low profile DFN2020-6, DFN2020-3 package
- ESD (HBM) > 5KV for DFN2020-6, DFN2020-3
> 6KV for SIP-3L and SC59
- Lead Free Package: SIP-3L (Note 1)
- SC59 (commonly known as SOT23 in Asia), DFN2020-6 and DFN2020-3: Available in "Green" Molding Compound (No Br, Sb) (Note 2)
- Lead Free Finish/RoHS Compliant (Note 3)

General Description

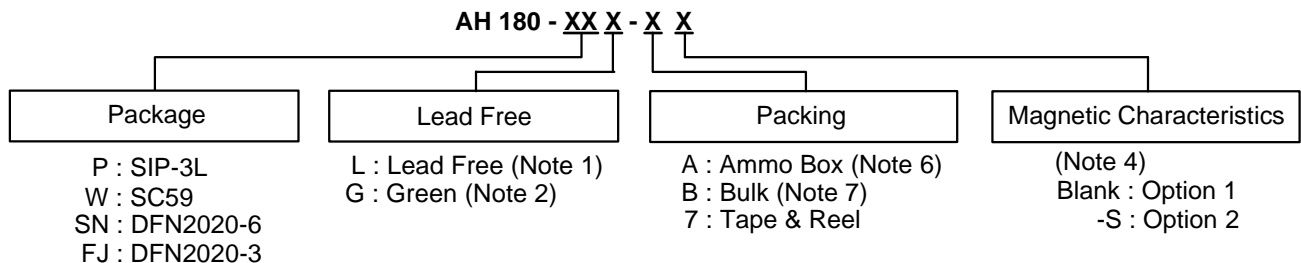
AH180 is comprised of two Hall effect plates and an open-drain output driver, mainly designed for battery-operation, hand-held equipment (such as Cellular and Cordless Phone, PDA). The total power consumption in normal operation is typically 24µW with a 3V power source.

Either north or south pole of sufficient strength will turn the output on. The output will be turned off under no magnetic field. While the magnetic flux density (**B**) is larger than operating point (**Bop**), the output will be turned on (low), the output is held until **B** is lower than release point (**Brp**), then turned off.

Applications

- Cover switch in clam-shell cellular phones
- Cover switch in Notebook PC/PDA
- Contact-less switch in consumer products

Ordering Information



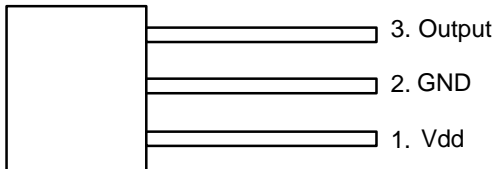
Device	Package Code	Packaging (Note 5)	Tube/Bulk		7" Tape and Reel		Ammo Box	
			Quantity	Part Number Suffix	Quantity	Part Number Suffix	Quantity	Part Number Suffix
AH180-PL-B	P	SIP-3L	1000	-B	NA	NA	NA	NA
AH180-PL-A	P	SIP-3L	NA	NA	NA	NA	4000/Box	-A
AH180-PL-B-S	P	SIP-3L	1000	-B	NA	NA	NA	NA
AH180-PL-A-S	P	SIP-3L	NA	NA	NA	NA	4000/Box	-A
AH180-WG-7	W	SC59	NA	NA	3000/Tape & Reel	-7	NA	NA
AH180-SNG-7	SN	DFN2020-6	NA	NA	3000/Tape & Reel	-7	NA	NA
AH180-FJG-7	FJ	DFN2020-3	NA	NA	3000/Tape & Reel	-7	NA	NA

- Notes:
1. SIP-3L is available in "Lead Free" product only.
 2. SC59, DFN2020-6 and DFN2020-3 are available in "Green" product only.
 3. EU Directive 2002/95/EC (RoHS). All applicable RoHS exemptions applied, see *EU Directive 2002/95/EC Annex Notes*.
 4. Please refer the Magnetic Characteristics table, option 2 is available in SIP-3L package only.
 5. Pad layout as shown on Diodes Inc. suggested pad layout document AP02001, which can be found on our website at <http://www.diodes.com/datasheets/ap02001.pdf>.
 6. Ammo Box is for SIP-3L Spread Lead.
 7. Bulk is for SIP-3L Straight Lead.

Pin Assignment

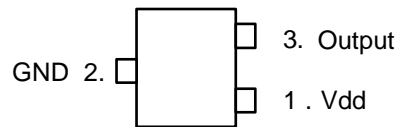
(1) SIP-3L

(Top View)



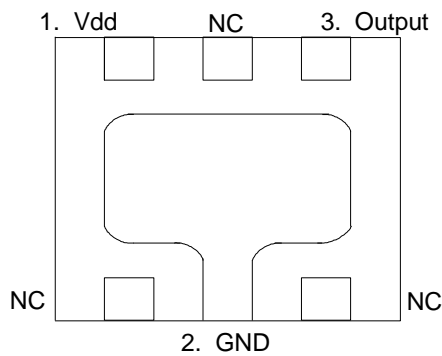
(2) SC59

(Top View)



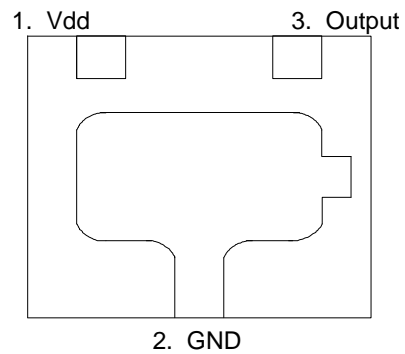
(3) DFN2020-6

(Bottom view)



(4) DFN2020-3

(Bottom view)

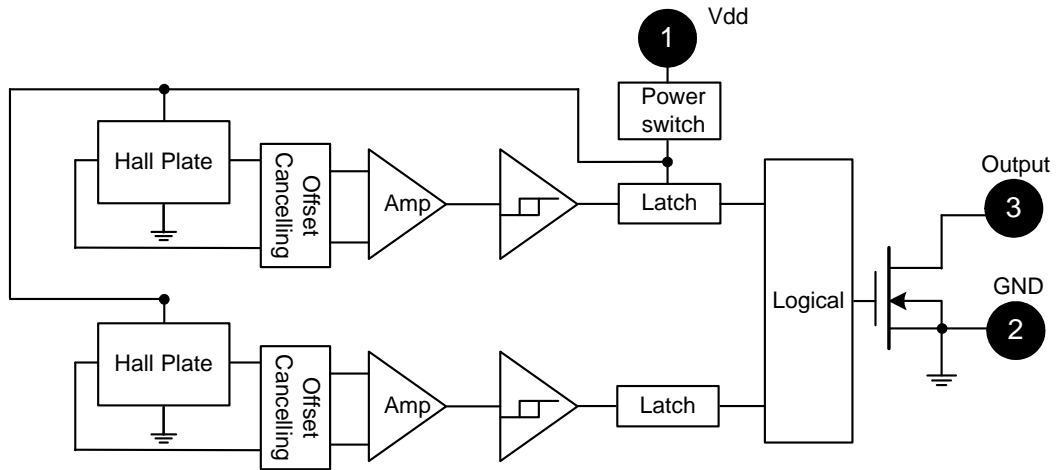


Notes: 8. NC is "No Connection" which is recommended to be tied to ground.

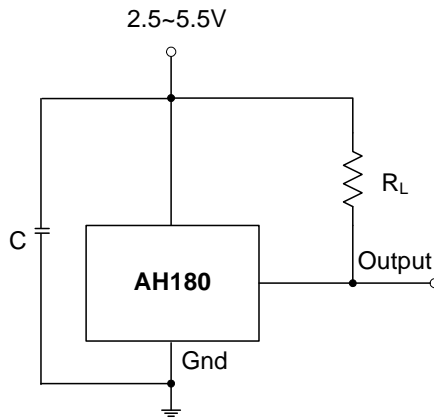
Pin Descriptions

Name	P/I/O	Pin #	Description
Vdd	P/I	1	Power Supply Input
GND	P/I	2	Ground
Output	O	3	Output Pin

Block Diagram



Typical Circuit



Notes: 9. C is for power stabilization and to strengthen the noise immunity, the recommended capacitance is 10nF~100nF.
 R_L is the pull-up resistor, the recommended resistance is 10K Ω ~100K Ω .

Absolute Maximum Ratings (at T_A = 25°C)

Symbol	Characteristics	Values	Unit	
V _{dd}	Supply voltage	7	V	
B	Magnetic flux density	Unlimited		
T _s	Storage Temperature Range	-65 to +150	°C	
P _D	Package Power Dissipation	SIP-3L	550	mW
		SC59-3L/ DFN2020-6/ DFN2020-3	230	mW
T _J	Maximum Junction Temperature	150	°C	

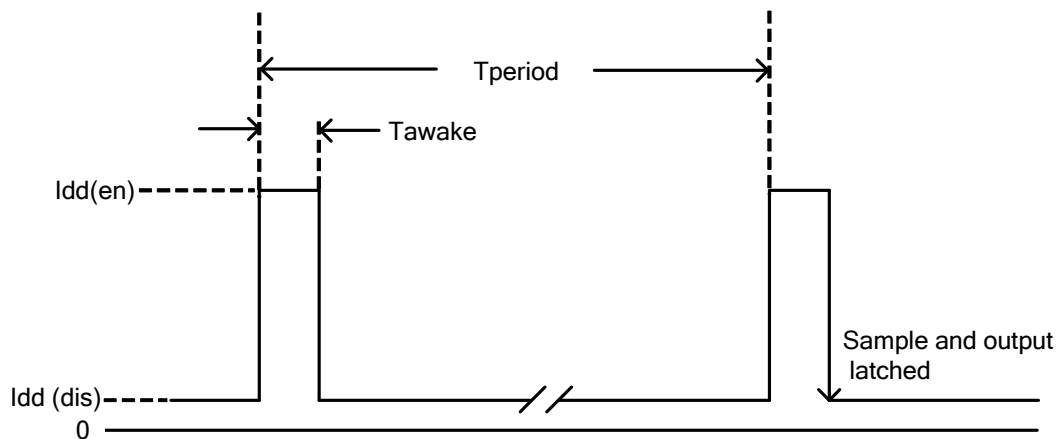
Recommended Operating Conditions (T_A = 25°C)

Symbol	Parameter	Conditions	Rating	Unit
V _{dd}	Supply Voltage	Operating	2.5~5.5	V
T _A	Operating Temperature Range	Operating	-40 to +85	°C

Electrical Characteristics ($T_A = +25^\circ\text{C}$, $V_{dd} = 3\text{V}$; unless otherwise specified)

Symbol	Characteristic	Conditions	Min	Typ.	Max	Unit
Vout	Output On Voltage	Iout = 1mA	—	0.1	0.3	V
Ioff	Output Leakage Current	Vout = 5.5V, Output off	—	<0.1	1	μA
Idd(en)	Supply Current	Chip enable, $T_A = 25^\circ\text{C}$, $V_{dd} = 3\text{V}$	—	3	6	mA
Idd(en)		Chip enable, $T_A = -40\sim 85^\circ\text{C}$, $V_{dd} = 2.5\sim 5.5\text{V}$	—	3	9	mA
Idd(dis)		Chip disable, $T_A = 25^\circ\text{C}$, $V_{dd} = 3\text{V}$	—	5	10	μA
Idd(dis)		Chip disable, $T_A = -40\sim 85^\circ\text{C}$, $V_{dd} = 2.5\sim 5.5\text{V}$	—	5	15	μA
Idd(avg)		Average supply current, $T_A = 25^\circ\text{C}$, $V_{dd} = 3\text{V}$	—	8	16	μA
Idd(avg)		Average supply current, $T_A = -40\sim 85^\circ\text{C}$, $V_{dd} = 2.5\sim 5.5\text{V}$	—	8	24	μA
Tawake		Awake Time	(Note 10)	—	75	125
Tperiod	Period	(Note 10)	—	75	125	ms
D.C.	Duty Cycle		—	0.1	—	%

Notes: 10. When power is initially on, the operating Vdd (2.5V to 5.5V) must be applied to be guaranteed for the output sampling. The output state is valid after the second operating phase (typical 150ms).

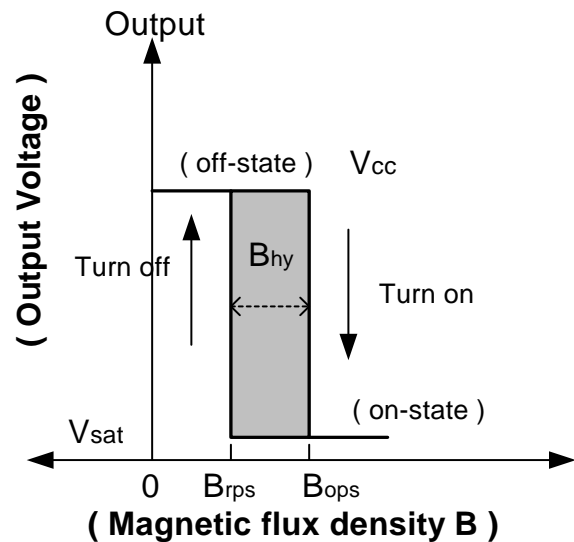
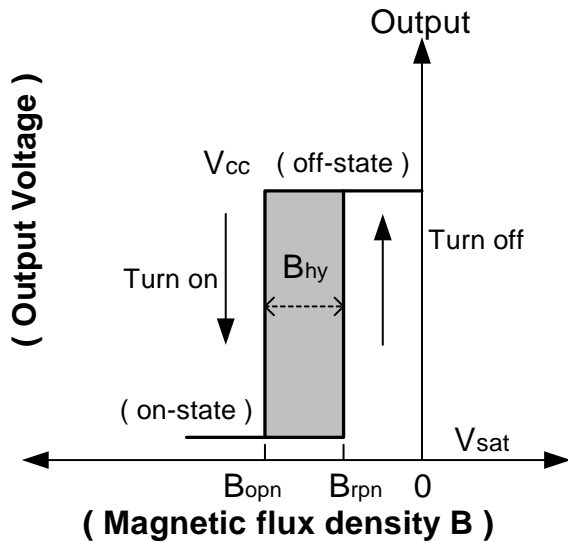


Magnetic Characteristics ($T_A = 25^\circ\text{C}$, $V_{dd} = 3\text{V}$, Note 11,12)

(1mT=10 Gauss)

Symbol	Characteristic	Min	Typ.	Max	Unit
Bops(south pole to brand side)	Operate Point	-	40	60	Gauss
Bopn(north pole to brand side)		-60	-40	-	
Brps(south pole to brand side)	Release Point Option 1	10	30	-	
Brpn(north pole to brand side)		-	-30	-10	
Brps(south pole to brand side)	Release Point Option 2	20	30	-	
Brpn(north pole to brand side)		-	-30	-20	
$B_{hy}(B_{opx} - B_{rpx})$	Hysteresis	-	15	-	

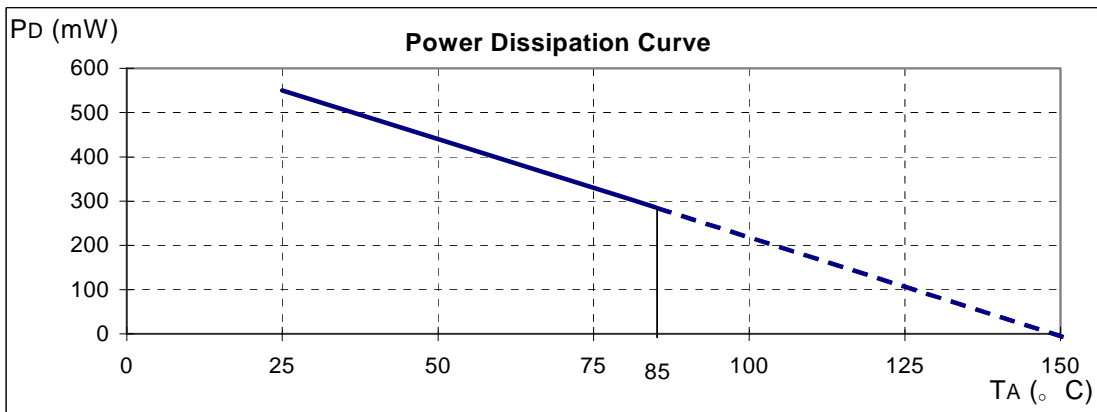
Notes: 11. Typical data is at $T_A = 25^\circ\text{C}$, $V_{dd} = 3\text{V}$, and for design information only.
12. Operating point and release point will vary with supply voltage and operating temperature.



Performance Characteristics

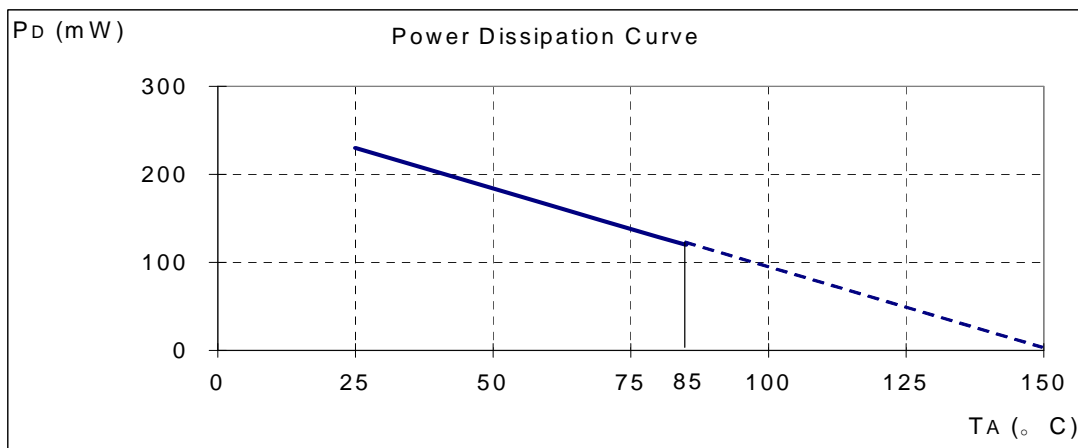
(1) SIP-3L

T_A (°C)	25	50	60	70	80	85	90	95	100
P _D (mW)	550	440	396	352	308	286	264	242	220
T_A (°C)	105	110	115	120	125	130	135	140	150
P _D (mW)	198	176	154	132	110	88	66	44	0



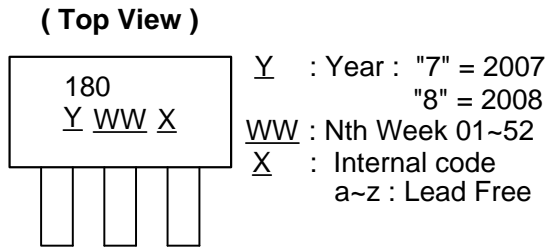
(2) SC59, DFN2020-6 and DFN2020-3

T_A (°C)	25	50	60	70	80	85	90	100	110	120	130	140	150
P _D (mW)	230	184	166	147	129	120	110	92	74	55	37	18	0

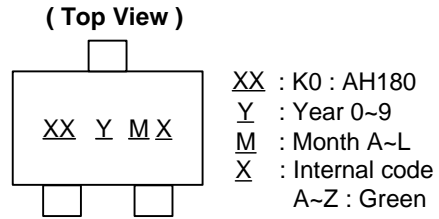


Marking Information

(1) SIP-3L

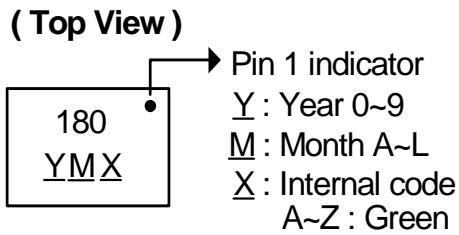


(2) SC59 (commonly known as SOT23 in Asia)

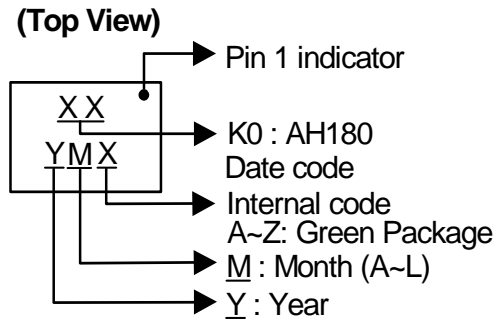


Part Number	Package	Identification Code
AH180	SC59	K0

(3) DFN2020-6



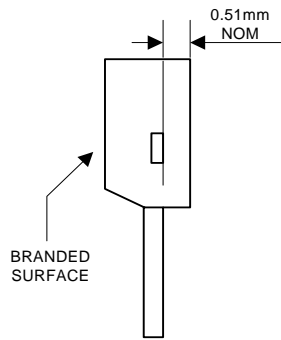
(4) DFN2020-3



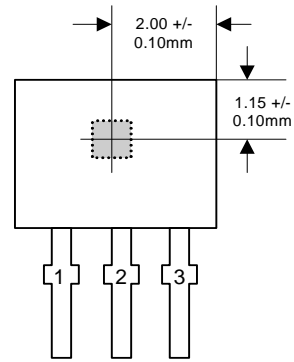
Part Number	Package	Identification Code
AH180	DFN2020-3	K0

Package Information (All Dimensions in mm)

(1) Package Type: SIP-3L for Bulk only

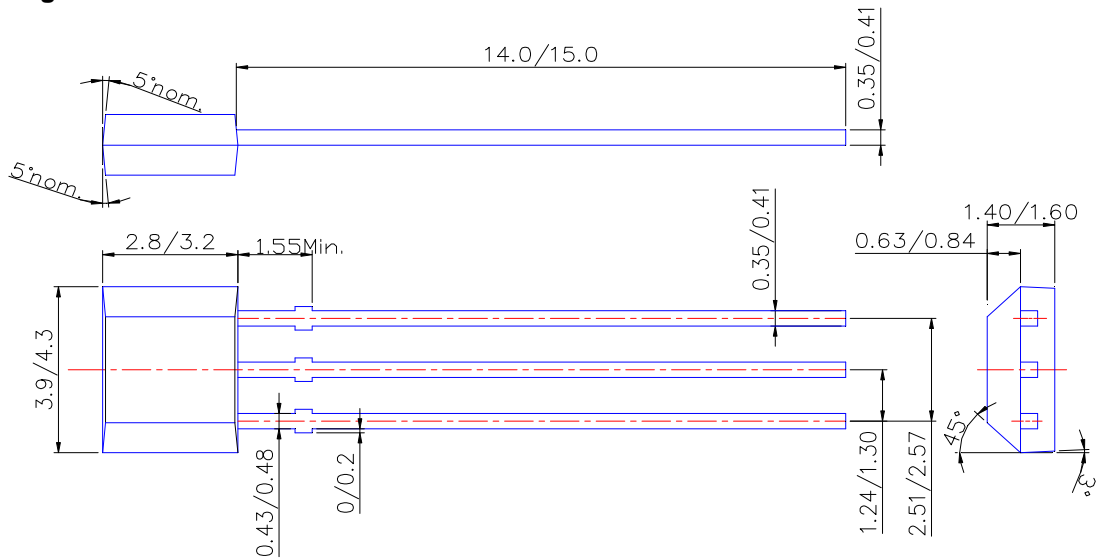


Active Area Depth



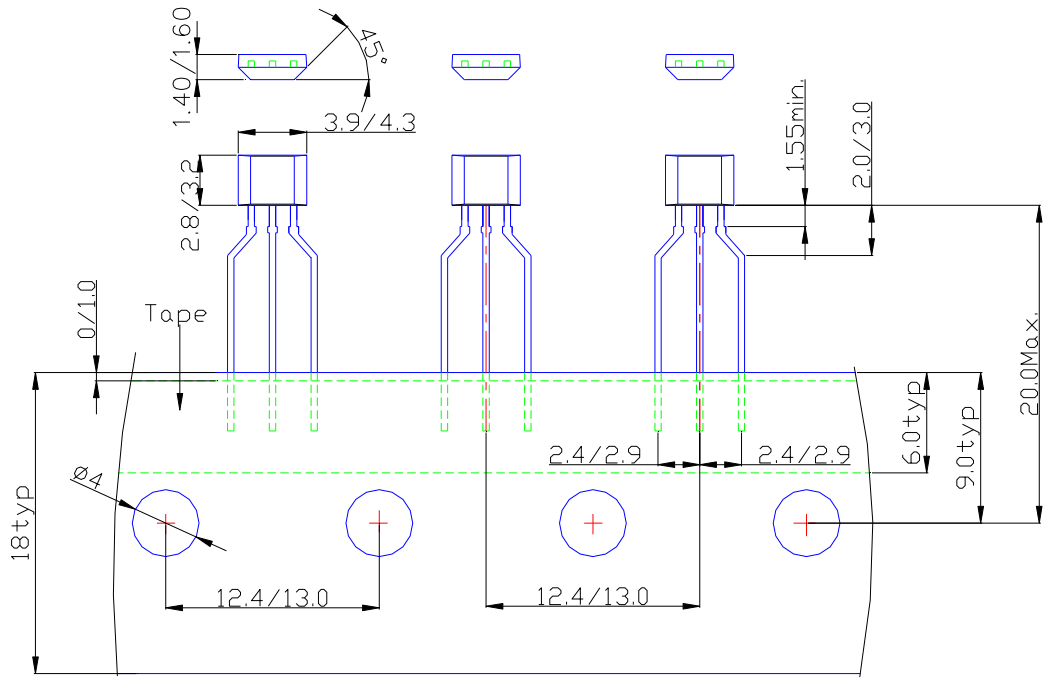
Sensor Location

Package Dimension

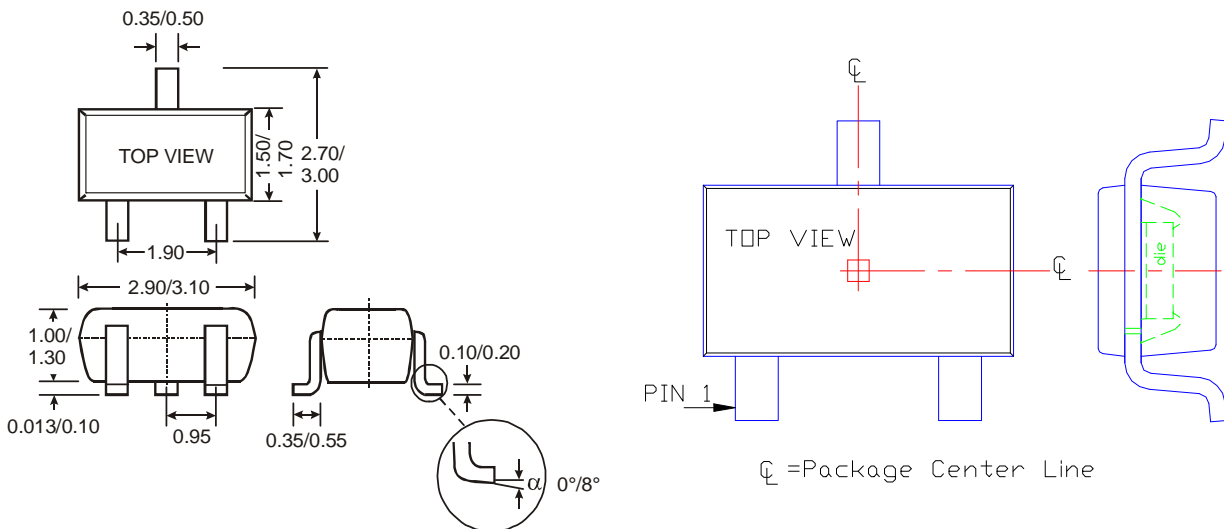


Package Information (Continued)

(2) Package Type: SIP-3L for Ammo Pack-only

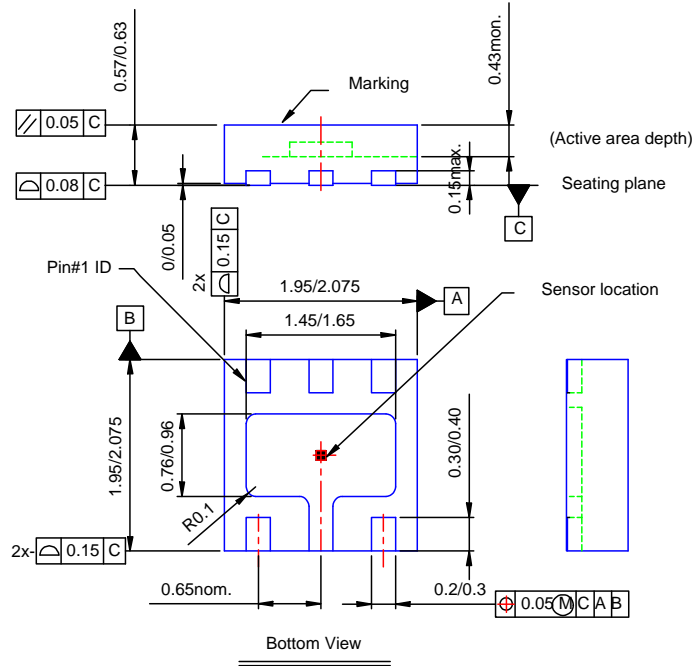


(3) SC59 (commonly known as SOT23 in Asia)

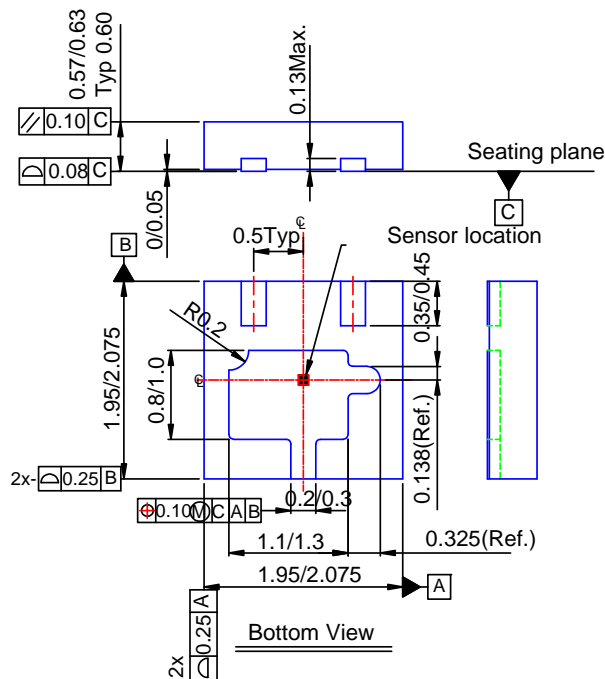


Package Information (Continued)

(4) Package Type: DFN2020-6

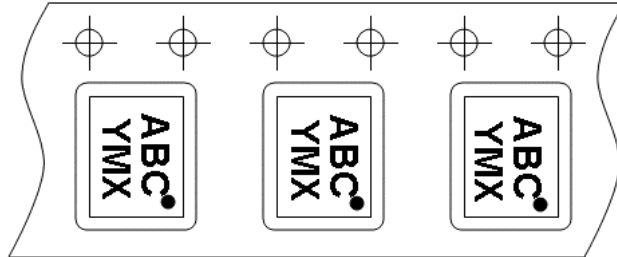


(5) Package Type: DFN2020-3

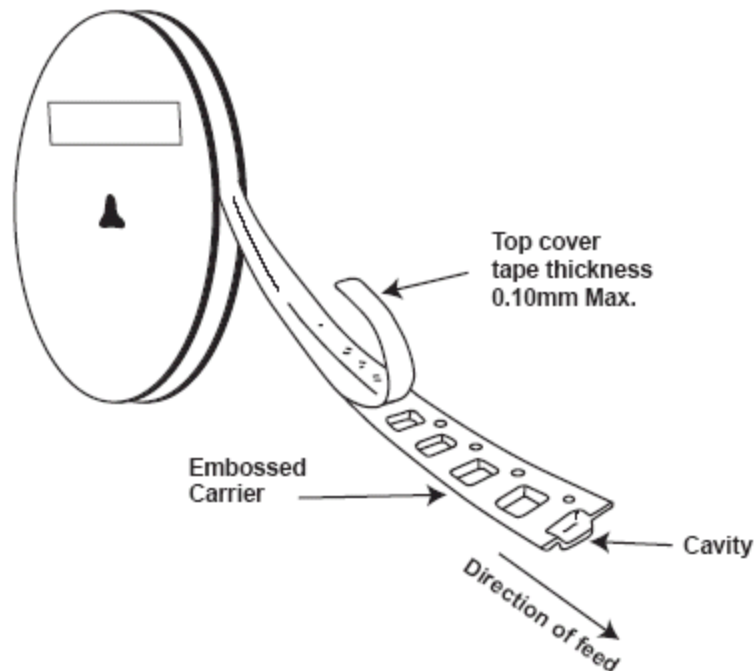
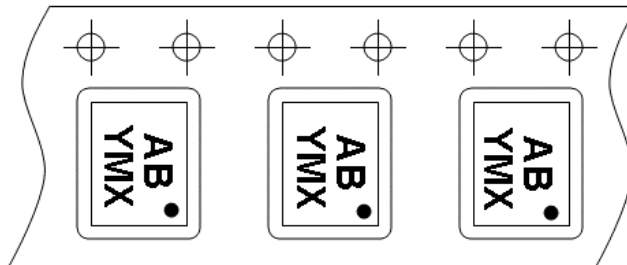


Taping Orientation

(1) DFN2020-6



(2) DFN2020-3



Notes: 13. The taping orientation of the other package type can be found on our website at <http://www.diodes.com/datasheets/ap02007.pdf>.

IMPORTANT NOTICE

Diodes Incorporated and its subsidiaries reserve the right to make modifications, enhancements, improvements, corrections or other changes without further notice to any product herein. Diodes Incorporated does not assume any liability arising out of the application or use of any product described herein; neither does it convey any license under its patent rights, nor the rights of others. The user of products in such applications shall assume all risks of such use and will agree to hold Diodes Incorporated and all the companies whose products are represented on our website, harmless against all damages.

LIFE SUPPORT

Diodes Incorporated products are not authorized for use as critical components in life support devices or systems without the expressed written approval of the President of Diodes Incorporated.