

**Features**

- Bipolar Hall Effect Latch Sensor
- 3V to 20V DC Operation Voltage
- Built-in Pull-Up Resistor
- 25mA Output Sink Current
- Operating Temperature: -40°C ~ +125°C
- Lead Free Finish/RoHS Compliant for Lead Free products (Note 1)
- Lead Free Package: SIP-3L, SC59-3L
- Green Package: SC59-3L

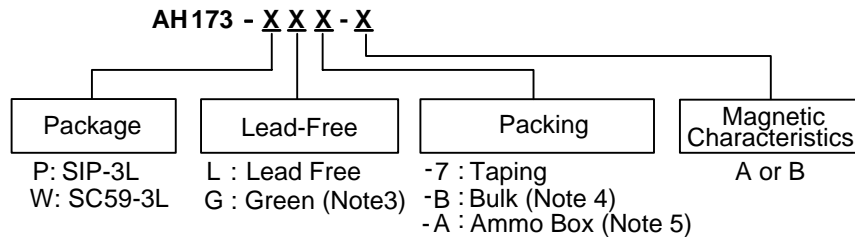
**General Description**

AH173 is a single-digital-output Hall-effect sensor with pull-up resistor for high temperature operation. The device includes an on-chip Hall voltage generator for magnetic sensing, an amplifier to amplify Hall voltage, and a comparator to provide switching hysteresis for noise rejection, and an output driver with a pull-up resistor (Rpu). An internal band-gap regulator is used to provide temperature compensated supply voltage for internal circuits and allows a wide operating supply range. While the magnetic flux density (B) is larger than operate point (Bop), the OUT pin turns on (low). If B moves toward release point (Brp), the OUT pin is latched "on" state prior to B < Brp. When B < Brp, the OUT pin goes into "off" state.

**Applications**

- Rotor Position Sensing
- Current Switch
- Encoder
- RPM Detection

**Ordering Information**



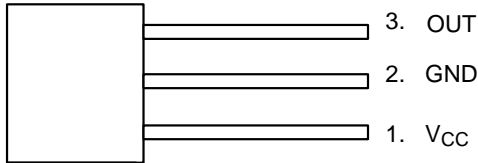
Note: 1. RoHS revision 13.2.2003. Glass and High Temperature Solder Exemptions Applied, see *EU Directive Annex Notes 5 and 7*.

Device	Package Code	Packaging (Note 2)	Tube/Bulk		7" Tape and Reel		Ammo Box	
			Quantity	Part Number Suffix	Quantity	Part Number Suffix	Quantity	Part Number Suffix
AH173-P	P	SIP3-3L	1000	-B	NA	NA	4000/Box	-A
AH173-W	W	SC59-3L	NA	NA	3000/Tape & Reel	-7	NA	NA

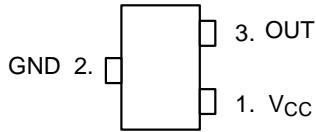
- Note: 2. Pad layout as shown on Diodes Inc. suggested pad layout document AP02001, which can be found on our website at <http://www.diodes.com/datasheets/ap02001.pdf>.
3. Green is only available for SC59-3L
4. Bulk is for SIP-3 Straight Lead.
5. Ammo Box is for SIP-3 Spread Lead.

**Pin Assignment**

(Top View)



(SIP-3L package)

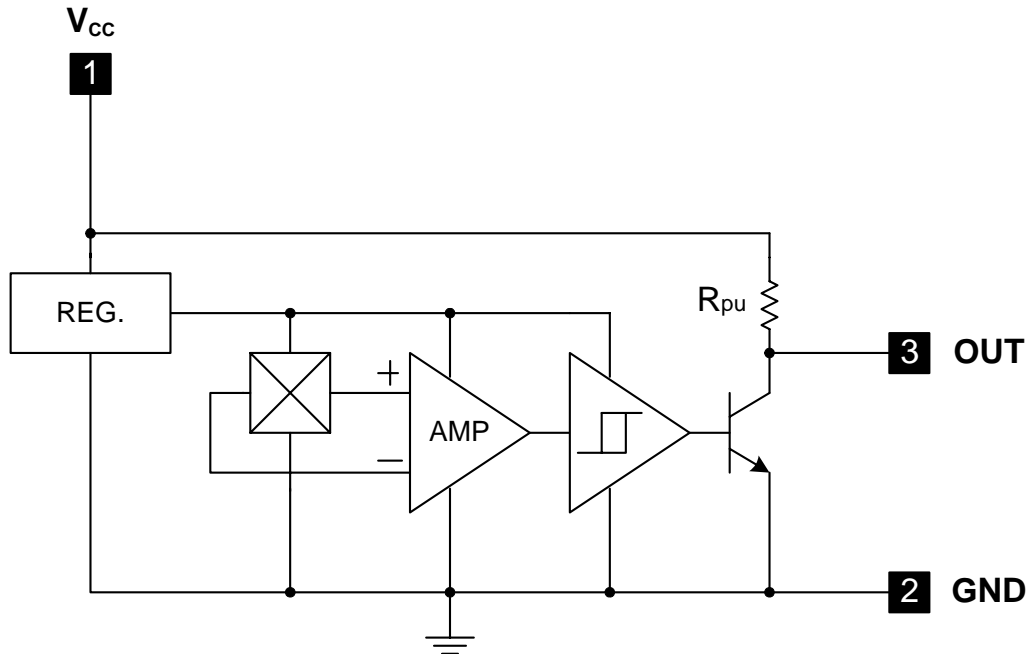


(SC59-3L Package)

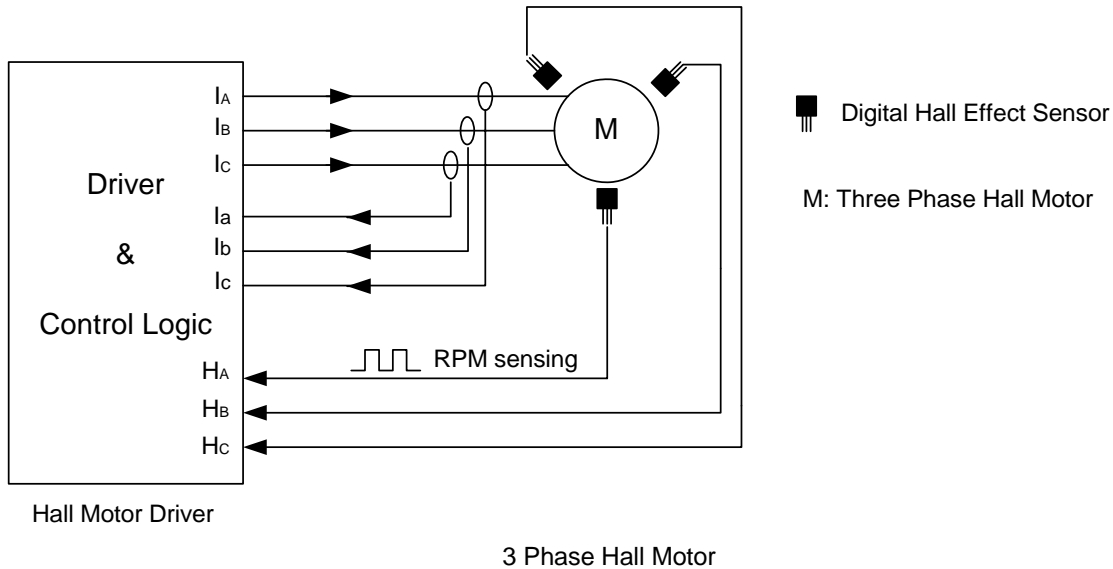
**Pin Description**

Name	Description
V <sub>CC</sub>	Positive Power Supply
GND	Ground
OUT	Output Stage

**Block Diagram**



**Functional Application Circuit**



**Absolute Maximum Ratings** ( $T_A = 25^\circ\text{C}$ )

Characteristics	Symbol	Values	Unit
Supply Voltage	$V_{CC}$	20	V
Output "Off" Voltage	$V_{out (off)}$	20	V
Output "On" Current	$I_o (sink)$	25	mA
Operating Temperature Range	$T_{op}$	-40~+125	$^\circ\text{C}$
Storage Temperature Range	$T_{stg}$	-65~+150	$^\circ\text{C}$
Maximum Junction Temperature	$T_j$	+150	$^\circ\text{C}$
Power Dissipation	SIP-3L	550	mW
	SC59-3L	230	mW

**Electrical Characteristics** ( $T_A = 25^\circ\text{C}$ )

Characteristics	Symbol	Conditions	Min.	Typ.	Max.	Unit
Supply Voltage	$V_{CC}$		3	-	20	V
Output Saturation Voltage	$V_{out (sat)}$	$V_{CC} = 12\text{V}$ , OUT "ON" $I_o = 10\text{mA}$	-	300	400	mV
Supply Current	$I_{CC}$	$V_{CC} = 12\text{V}$ , OUT "OFF"	-	3.5	6	mA
Internal Pull-up Resistor	$R_{pu}$		7	10	13	$\text{K}\Omega$
Dropout Voltage	$V_d$	$V_d = V_{CC} - V_{CE}$	-	-	0.3	V

**Functional Application Circuit**

(1mT = 10 Gauss)

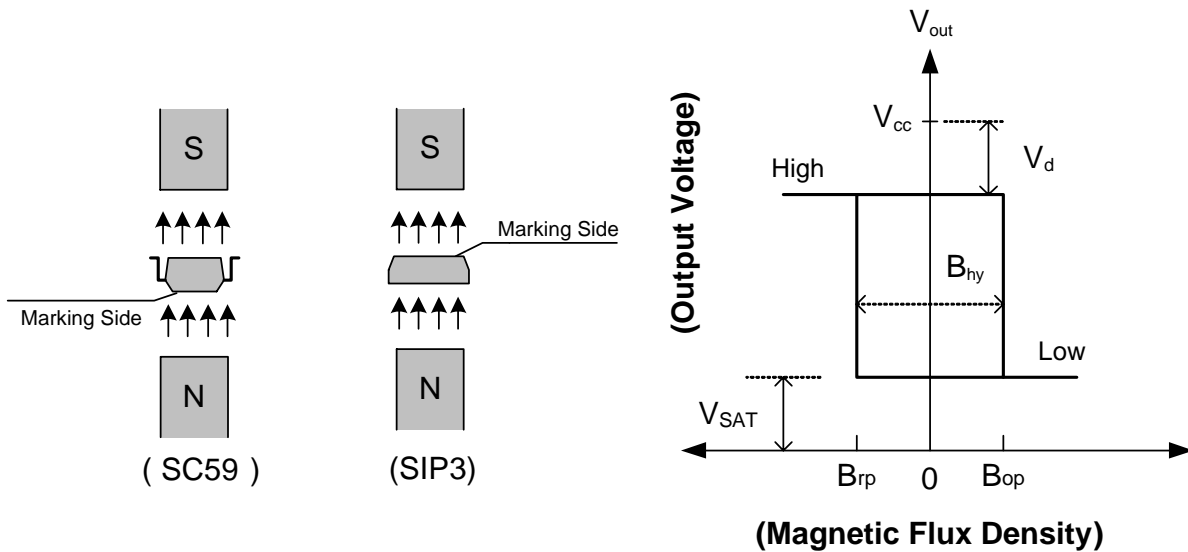
**A grade**

Characteristics	Symbol	Min.	Typ.	Max.	Unit
Operation Point	Bop	15	-	60	Gauss
Release Point	Brp	-60	-	-15	Gauss
Hysteresis	Bhy	-	80	-	Gauss

**B grade**

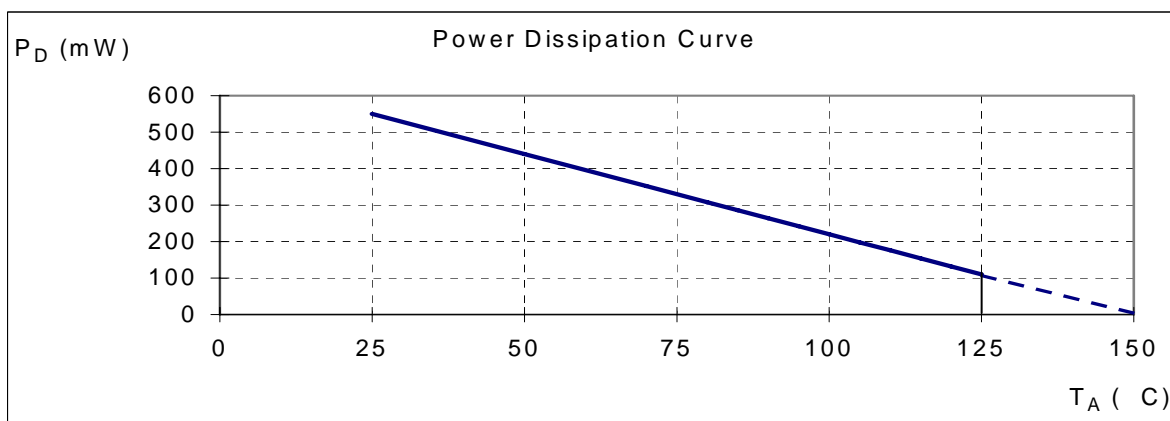
Characteristics	Symbol	Min.	Typ.	Max.	Unit
Operation Point	Bop	5	-	80	Gauss
Release Point	Brp	-80	-	-5	Gauss
Hysteresis	Bhy	-	80	-	Gauss

**Operating Characteristics**



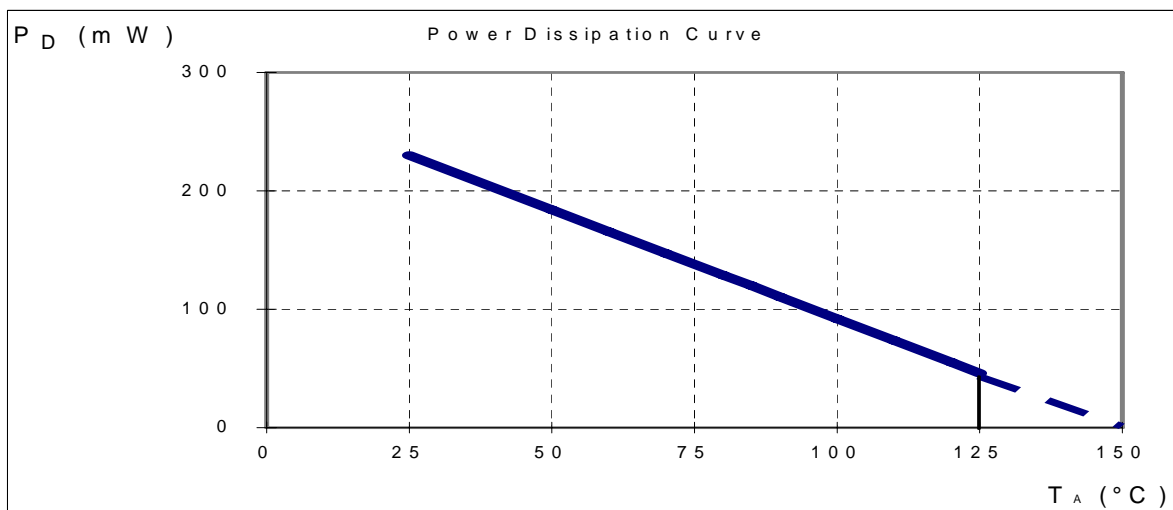
**Performance Characteristics (SIP-3L)**

$T_A$ (°C)	25	50	60	70	80	85	90	95	100
$P_D$ (mW)	550	440	396	352	308	286	264	242	220
$T_A$ (°C)	105	110	115	120	125	130	135	140	150
$P_D$ (mW)	198	176	154	132	110	88	66	44	0



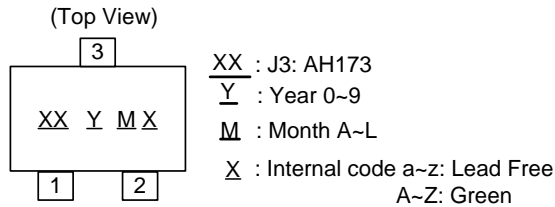
**Performance Characteristics (SC59-3L)**

$T_A$ (°C)	25	50	60	70	80	85	90	100	110	120	125	130	140	150
$P_D$ (mW)	230	184	166	147	129	120	110	92	74	55	46	37	18	0



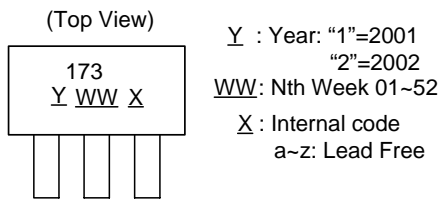
**Marking Information**

**(1) SC59-3L**



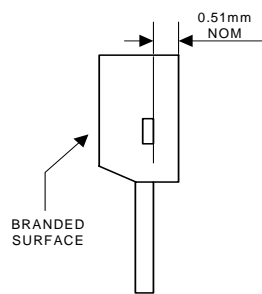
Part Number	Package	Identification Code
AH173	SC59-3L	J3

**(2) SIP-3L**

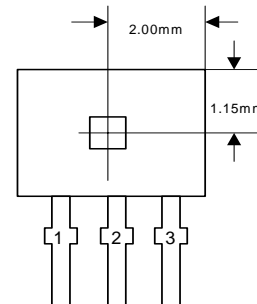


**Package Information**

**(1) Package Type: SIP-3L for Bulk pack**



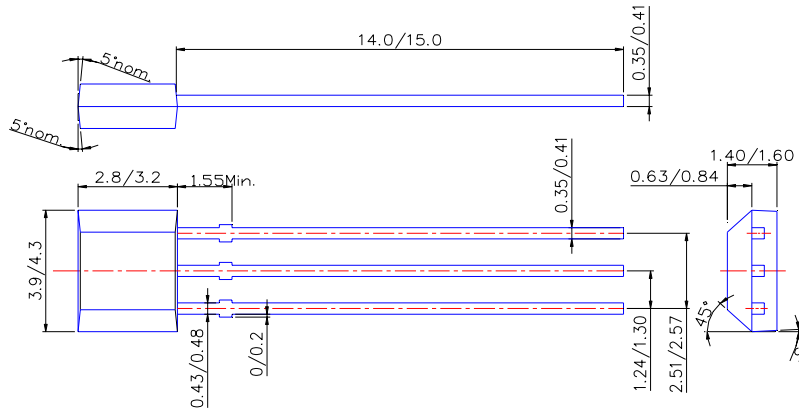
Active Area Depth



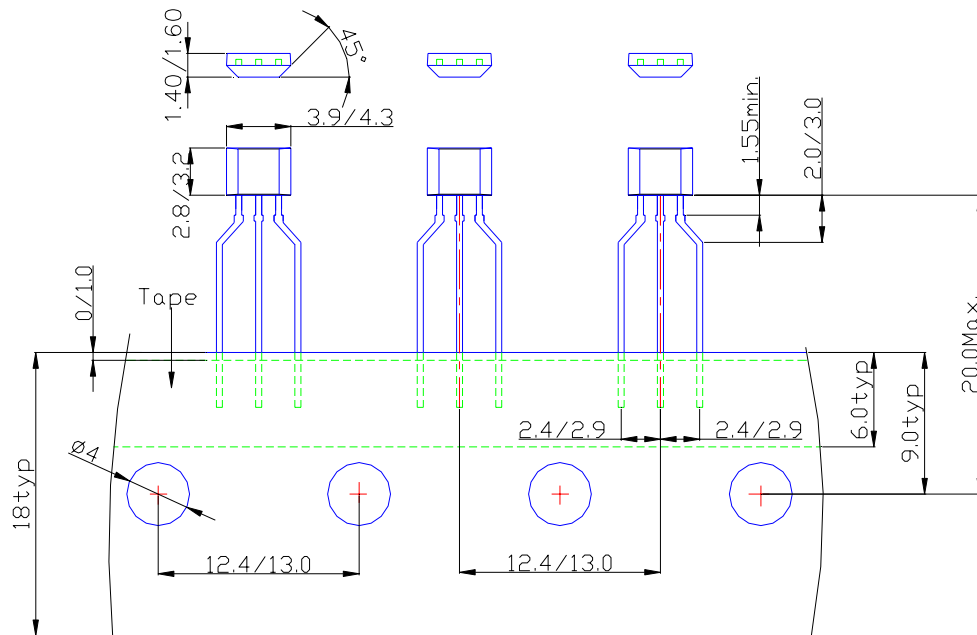
Sensor Location

**Package Information (Continued)**

**Package Dimension**

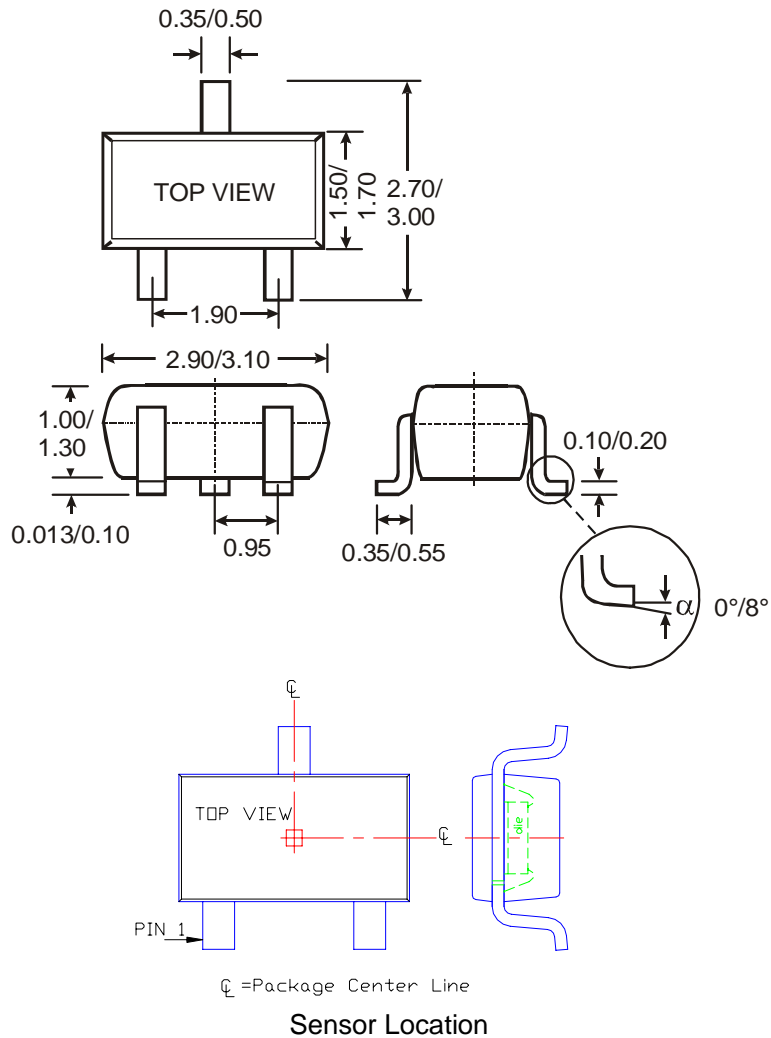


**(2) Package Type: SIP-3L for Ammo pack**



**Package Information (Continued)**

**(3) Package Type: SC59-3L**





**IMPORTANT NOTICE**

Diodes Incorporated and its subsidiaries reserve the right to make modifications, enhancements, improvements, corrections or other changes without further notice to any product herein. Diodes Incorporated does not assume any liability arising out of the application or use of any product described herein; neither does it convey any license under its patent rights, nor the rights of others. The user of products in such applications shall assume all risks of such use and will agree to hold Diodes Incorporated and all the companies whose products are represented on our website, harmless against all damages.

**LIFE SUPPORT**

Diodes Incorporated products are not authorized for use as critical components in life support devices or systems without the expressed written approval of the President of Diodes Incorporated.